

A scenic view of a mountain valley with a river and forested hills. The foreground shows rocky, light-colored terrain with sparse green vegetation. In the middle ground, a river flows through a deep valley, surrounded by dense green forests. The background features rolling hills and mountains under a clear blue sky with a few wispy clouds. The overall scene is bright and clear, suggesting a sunny day.

Metro Repeater Information

Steven Wisnieski, W0JJK

08-19-2007 13:08

What makes a Repeater?

- Receiver
- Transmitter
- Controller
- Duplexor with one antenna or Two Separate Antennas

04-07-2007 10:36

Type of Repeaters

- D-Star
- IMBE(P25) only
- IMBE(P25)/Analog-Mixed Mode
- Analog

04.08.2007 14:36

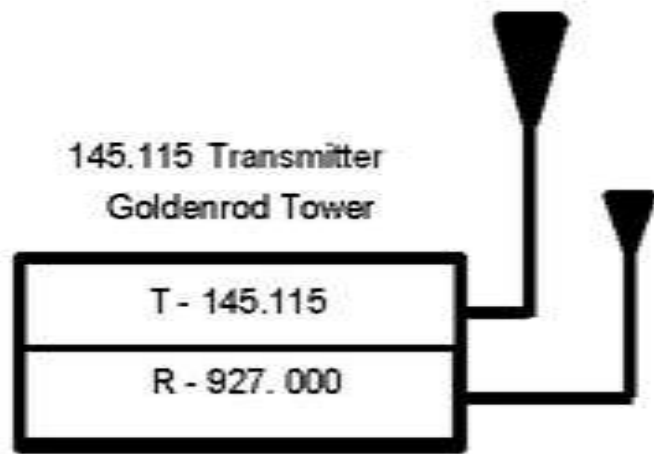
WB0EMU, Neil Johnson

- 145.235(-) County Wide Voted
- 146.715(-) IMBE P25-Nac 293
- 147.06(+) 131.8 PL DEC PL/51 DPL ENC
 - Located in east Bellevue
- 442.725(+) County Wide Voted

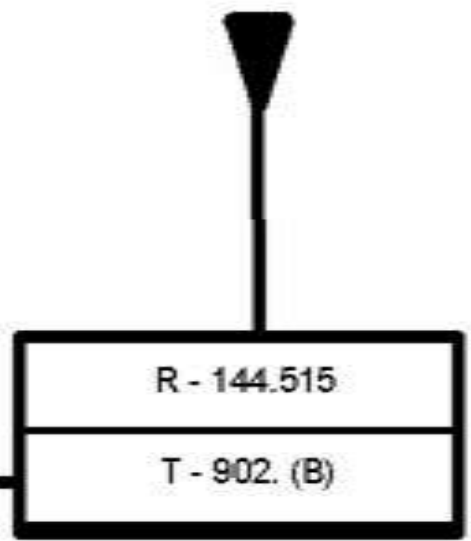
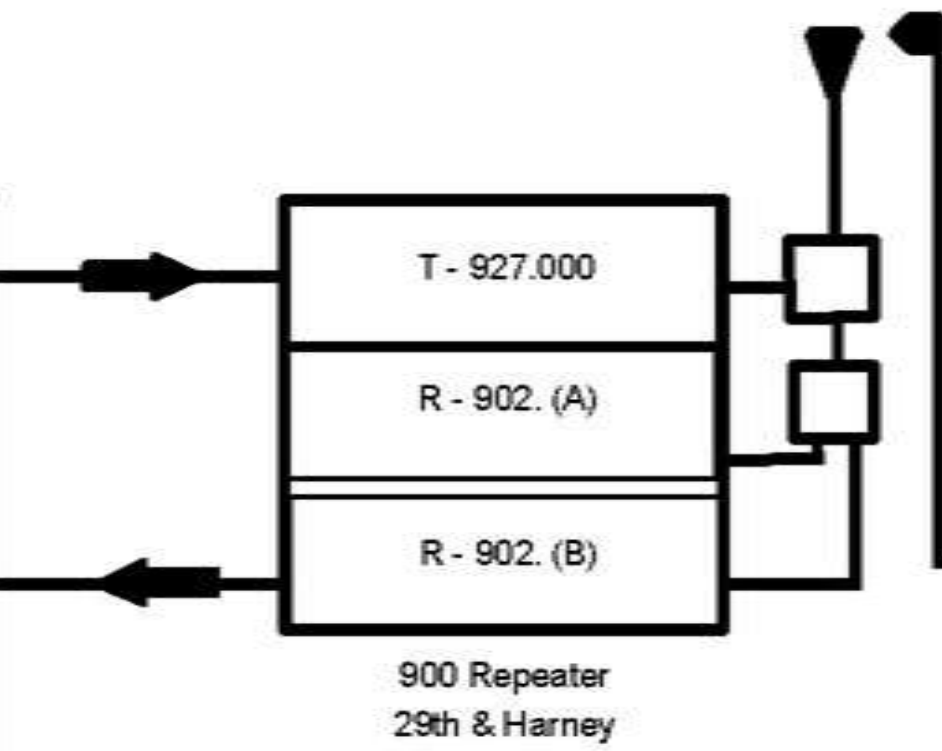
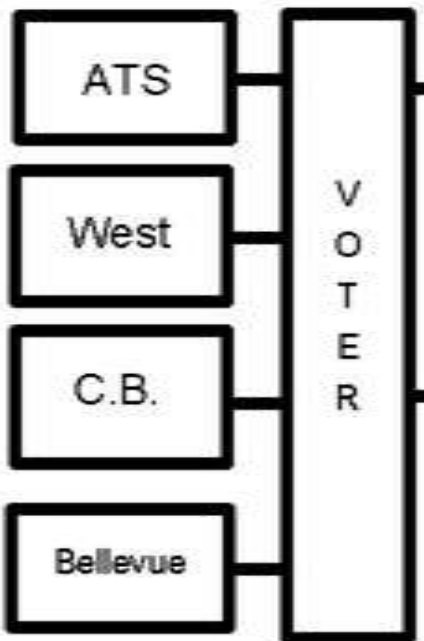
WB0QQK, Frank Vondra

- 145.115(-) Voted Metro Wide
- 443.825(+) East Bellevue
- 443.350(+) Northwest Bellevue
- 444.875(+) Southwest Bellevue
- All have 179.9 PL Decode and Encode

04.19.2007 18:28



144.515
Receivers



Plattsmouth
Receiver

K0BOY, Doug Halbert

- 145.450(-) 104th and J St
- 147.360(+) 156th and Maple St
- 444.650(+) 42th and Center St
- 444.975(+) 104th and J St

04.08.2007 13:30

John Gebhur, WB0CMC

- 147.000(- and +) North Central Omaha
- 442.950(+) 146.2 PL NE Omaha
- 444.950(+) Gretna

08.19.2007 17:43

KA0IJY, Keith Keene

- 147.210(+) PL of 103.5-Murray
- 442.575(+) PL of 100.0-Murray
- 146.730(-) PL of 103.5-Nebraska City
- 442.475(+) PL of 100-Omaha
 - All are linked together minus Omaha

04.08.2007 14:35

WB0YLA, Don Fiala

- 145.390(-)
 - New antenna this August
- 444.50(+)

08.19.2007 17:43

Clubs

- K0USA-146.940(-)North Omaha
- W0WYV-147.390(+) NW Bellevue
- W0EQU-443.775(+)Gretna
- K0SWI-146.820(-)East CB
- KB0SMX-443.450(+)PL of 100.0-
Downtown Omaha

04.08.2007 13:58

Others

- N00FQ-145.370(-) North Omaha
- WB0GXD-442.525(+) Council Bluffs
- N0UP-442.900(+) Papillion
- K0AWB-443.550(+)PL of 103.5-Valley
- KF6SWL-443.725(+) N Omaha-IRLP
- KC0VEY-443.975(+) W Omaha
 - PL of 114.8, Echo Link

04.07.2007 11:47

A photograph of a turbulent waterfall. The water is in motion, creating a large amount of white foam and spray. The background is dark, possibly a cave or a shaded area. The text "Questions or Comments?" is overlaid in the center of the image.

Questions or Comments?

08.19.2007 13:58