



## BARC Club Picnic Set

by Ladonna, KB0DUO

(repeated) Mark you calendars for June 4, 2011 to attend the Annual Bellevue Amateur Radio Club's annual picnic. It will be in the shelter on the east side of Halleck Park (west side of the pond) and will start with set-up at 10:00 a.m. Lunch will be served at noon, and the picnic will end around 2:00 p.m. (unless no one has reserved the shelter after us, then we can stick around longer if we want.) This year the members voted to have the food catered, so you don't even have to make anything to attend, just come and have fun. This is a family event; bring the family, your significant other, the grandchildren, or a friend. Halleck Park is a nice park with lots of things to do, and kids can fish in the pond. There are bike trails, and possibly a baseball or soccer or softball game will be going on for entertainment if you want to come early and hang out.

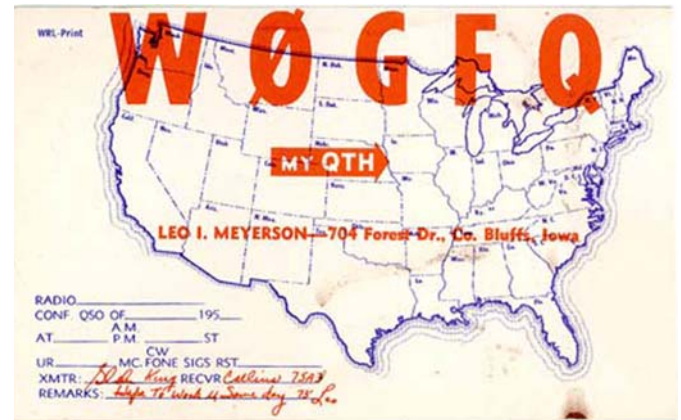
Menu: fried chicken, macaroni salad, potato salad, coleslaw, baked beans, dinner rolls, cookies/dessert, coffee, iced tea, and lemonade. Members are welcome to bring or donate soda for the picnic. We will have glasses and ice.

Cost is \$6.00 for adults, and \$4.00 for children under age 13. You will need to register and pay in advance. Registration will be due by the May monthly meeting. You can register at the April or May monthly meeting by signing up and paying the treasurer or by mailing your registration and payment to the Bellevue Amateur Radio Club mailing address. Please include your call sign, name, and the names of all family members or guests attending with you.

We can use a few people to help set up (i.e., unload bins, and coolers from vehicles, cover tables with plastic, get out paper goods for meal, etc.). Please arrive around 10:00 a.m. if you can assist with set-up.

## W0GFQ Remembered

For an obituary of Leo Meyerson, W0GFQ, see [www.legacy.com/obituaries/the-desertsun/obituary.aspx?n=leo-i-meyerson&pid=150589606](http://www.legacy.com/obituaries/the-desertsun/obituary.aspx?n=leo-i-meyerson&pid=150589606)



Art Collins and Leo Meyerson were certainly the largest contributors to the manufacturing of amateur radio equipment in the midwest. Leo was a former BARC member.

## Club Member Stories

The following anecdotes are contributions from BARC members who were affected by Leo and who cared enough to take the time to put their thoughts into words:



A few months later I scrounged up enough money to buy a used Globe Chief 90 CW transmitter from WRL-- Leo not only sold it from his store; he also manufactured it at his factory. This gave me lots more HF bands.



About a year later I spent most of my detasseling money on a Globe V10 VFO. I was in hog heaven. Not only could I tune anywhere with my receiver, but I could place my transmit signal anywhere in the band I wanted, not just on the crystal frequencies.

I ended up selling these radios in pieces when I went to college, but I will probably never have as much fun on HF as I did with those boat anchors.

One summer, maybe 1967, WRL had an open house with a prize drawing. I was able to attend part of it, then I had to return home. Later I learned that my name had been called for the grand prize, a Swan 500. Unfortunately, the winner had to be present. Oh, well!

Thanks, Leo, for being there to supply me with good, inexpensive radio gear.

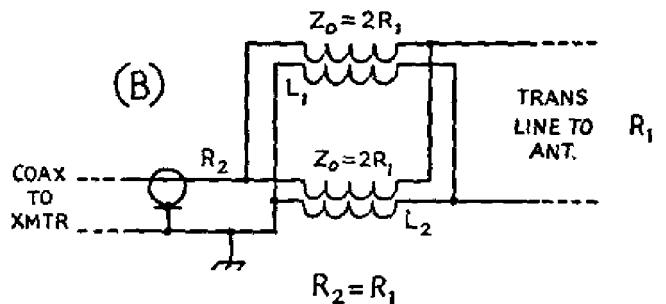
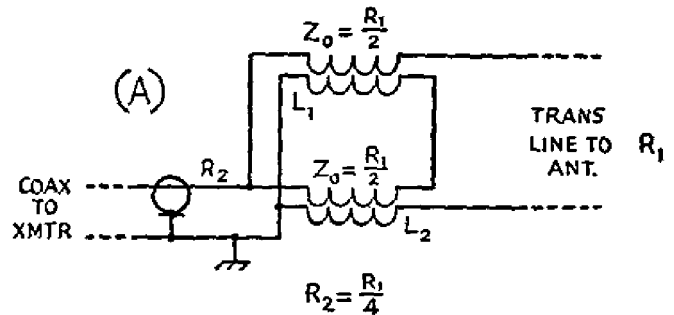
--W0KT

No one else volunteered any recollections. Sad.

## Poser

The figure shown below depicts the two common flavors of baluns. The word 'balun' is a combination of balanced and unbalanced. Most common ham antennas, such as dipoles and beams, are balanced in that they have two radiators going away from the feed point in opposite directions. Most transmitters have an unbalanced output, a potential with respect to ground, so, at some point in the signal's journey between transmitter and antenna, something must

convert the unbalanced output to balanced. The mathematical terms within the figure give some clues to the successful operation of a balun. What are the most important considerations for getting a balun to work well? The answer appears on "Poser Answer" on page 6.



may\_spark\_gap\_2011.fm

## BARC Technician License Class and Testing Session Successful - Congratulations

by Bob McCoy, NB0B

The license class, which was held on two weekends in April, at Midlands Hospital, produced several new licensees..



Stan, W0CHF, makes a point

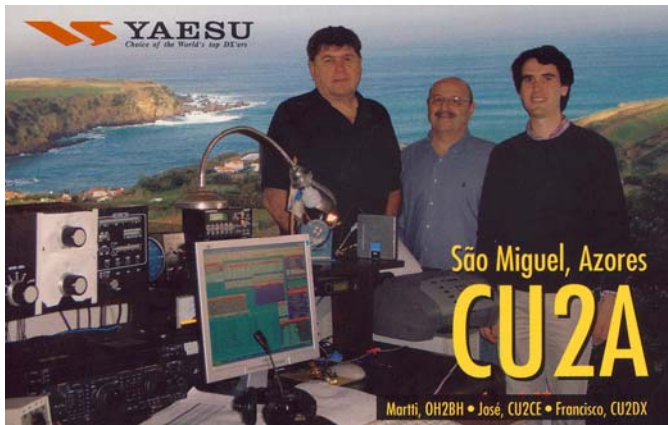


Micro-DXpedition, this time from Nosy Be Island between May 31st and June 6th. Activity will be holiday style on 40-10 meters.

9J, ZAMBIA. Chris, **ZS6RI** (ex-**ZD9IR**, **5H9IR**, **EL8RI**), will be active as **9J2RI** from Zambia for a year or two. However, operations will be on a “6 week on/6 week off” due to his work. Activity will be on all HF bands using CW, SSB and the Digital modes. QSL via LoTW or direct to: Chris J de Beer, Box 333, Bethlehem, GA

9M2, WEST MALAYSIA. Mirek, **VK6DXI** will be QRV as **9M8DX/2** from Kuala Lumpur from April 25 to 30 while on business here. Activity will be on the HF bands using CW during his evenings. QSL via **SP5UAF**.

9M8, WEST MALAYSIA. Mirek, **VK6DXI**, will once again be active as **9M8DX/2** from Kuala Lumpur between April 25-30th. Activity will be limited since this is a business trip, but he will operate on some CW during his local evening hours. QSL via **SP5UAF**.



ASIAN AND IOTA TRIP. Vincent, **F4BKV**, plans to be active as **VR2/F4BKV** from Hong Kong between April 27th and May 6th. He also plans to be active as **YB9/F4BKV** from Bali (OC-022), Indonesia, between May 7-9th. Activity will be casual using low power (100w) and operating SSB and the Digital modes. QSL via LoTW, by the Bureau or direct.

EM25, UKRAINE (Special Event). In connection with 25th anniversary of the accident at the Chornobyl Nuclear Power Plant, radio amateurs from the “Ukrainian State Centre of Radio Frequencies” together with a number of Ukrainian radio amateurs will operate from Chernobyl city between the period

April 22-30th, using the callsign EM25U. QSL via UT3UZ: Alex Arbuzov, P.O. Box 7, Kiev-232, 02232, Ukraine.

HB0, LIECHTENSTEIN. Operators Tony/**IZ3ESV**, Gabriele/**I2VGV** and Andrea/**IZ2LSC** will be active as **HB0/homecall** between June 2-5th. The main focus will be on the 30/17/12 meters and the upper HF bands depending on the propagation. They will also try 6 meters. QSL via their home callsigns.

KC4, ANTARCTICA. Luis is now QRV as **LU1ZG** from the Belgrano II Station. QSL via **LU4DXU**.

OJ0, MAKET REEF. Operators Dervin/PD9DX, Marc/ON8AK and Max/ON5UR will be active as **OJOUR** from Market Reef between August 13-20th. Activity will be on the HF bands using a Stepp-IR Big Vertical and a Stepp-IR 2 element beam. QSL via **M0URX**, direct or by the Bureau, or LoTW.

SHORT PACIFIC TOUR. By the time you read this operators Carlos/EA1IR and Hrane/YT1AD should be finishing their short Pacific tour from American Samoa as **KH8/EA1IR** and **KH8/N9YU** through May 1st. QSL all the above callsigns for **YT1AD** and **EA1IR** via Carlos, **EA1IR**.

SV/A, MOUNT ATHOS. Monk Apollo, **SV2ASP/A** has been active using RTTY on 17 meters between 1800 and 2100z. QSL direct.

T31, CENTRAL KIRIBATI. A group of operators will be QRV as **T31A** from Kanton Island, April 17 to 28. Activity will be on 160 to 6 meters using CW, SSB and RTTY with six stations active simultaneously from two locations. QSL via **W2IJ**.

T8, PALAU. Shigehiro, **JA8CCL**, is active as **T88KR**. QSL via his home callsign.

TT, CHAD. Phil, **F4EGS** is QRV as **TT8PK** from N'djamena until June 15 while on business. Activity is on 40 to 10 meters using CW, SSB and RTTY. QSL to home call.

XV, VIET NAM. A group of operators will be QRV as **XV4YY** from Phu Quoc, IOTA AS-128, from April 18 to 30. Activity is on all HF bands and modes with two stations. QSL via **DH7WW**.

ZA, ALBANIA. Operators Mitko/**LZ1UQ** and Andy/**LZ2HM** will be active as **ZA/homecall** between April 26th and May 5th. Activity will be on all HF bands and 6 meters CW, SSB and RTTY.

QSL via their home callsign using the info on QRZ.com.

Credit to the ARRL DX Bulletin and the Ohio/Penn DX Bulletin for much of the above information.

Good DX and go get 'em, the bands are hot.

Mike NA9Q

## BARC Member Doings

If you participated in a ham-radio-related activity during the past month, drop a line to W0KT. This is your monthly opportunity to promote your favored activities or for a moment of fame.

### 2 Meter Operation

I worked PA for my 29th state on 2. Two meter conditions should pick up in the next couple of months.

### 432-MHz Sprint

This was held during the evening of April 27. I worked six stations, mostly in KS and MO.  
--W0KT

## BARC Membership Exposed as the Most Gullible Bunch of Saps in the Midwest

The editor did not receive one single comment about the April Fool's article in the April *Spark Gap*. Shame on you, BARCers!



## Poser Answer

Basic baluns have an impedance transformation ratio of either 4:1 or 1:1, so the antenna impedance should be either equal to the output impedance or else four times the output impedance. Note that the choice of inductors used to make the balun is dependent on the antenna impedance. This means that a balun must be designed for a particular frequency/impedance range. A typical HF balun is usable from 3.5 - 30 MHz. Note that the antenna impedance is specified as  $R_1$ , not  $R_1 + j$  (where  $j$  is either capacitive or inductive reactance) -- an antenna with considerable reactance does not present the expected load; nor does a resistance considerably removed from the value of  $R_1$ . If you use an antenna that is not resonant on the operating frequency or which has a resistance vastly different from that of the transmission line, the balun becomes nothing more than a complicated circuit of inductance and stray capacitance and does function as a balun, meaning that the two output conductors are fed more or less in phase rather than the hoped-for 180 degrees out of phase. In other words, a two-wire transmission line going to a badly mismatched antenna would itself become part of the antenna, and the horizontal antenna would become top loading for the vertical conductors. This is what usually happens with cheap antenna tuners that claim to have a balanced output based on a balun. Into an inappropriate load that balun doesn't do any balancing. The only way to correctly feed the balanced transmission line to a nonresonant antenna is to use a tuned RF transformer at the station end.

## Zeroland QSO Party Cancelled

Too many people bellyached to W0IW about the rules, so he called off the contest. For fewer details check out:

[zerolandqsoparty.com/](http://zerolandqsoparty.com/)

## Ham Events

If you have an event that you want to have listed, be sure to send an e-mail to the *Spark Gap*. Editor-recommended events are **highlighted**.

event type	start date	event description
education	May 5	amateur license testing, Lincoln, NE - KOIH@ARRL.NET
special event	May 5	50th Anniversary of Alan Shepard's First Manned Space Flight - <a href="http://www.k1bke.org/planetarium/ka1sky.htm">www.k1bke.org/planetarium/ka1sky.htm</a>
breakfast	May 7	Bellevue Masonic lodge (same location as BARC club meetings)
contest	May 7	Indiana QSO Party - <a href="http://www.hdxcc.org/inqp/rules.html">www.hdxcc.org/inqp/rules.html</a>
hamfest	May 7	Ashland ARC Swap Meet, Wahoo, NE - <a href="mailto:Windyacres1331@hotmail.com">Windyacres1331@hotmail.com</a>
expo	May 7	Omaha Safety Expo
contest	May 7	2011 Spring UHF Sprint, 902+ MHz - <a href="http://www.svhfs.org/">www.svhfs.org/</a>
BARC Bd mtg	May 12	7:30 PM, - <a href="http://www.bellevuearc.org">www.bellevuearc.org</a>
contest	May 14	2011 <b>Spring VHF Sprint</b> , 50 MHz - <a href="http://www.svhfs.org/">www.svhfs.org/</a>
public service	May 15	Blair, NE, MS 1-Day bike ride, radio volunteers needed - <a href="http://www.bellevuearc.org">www.bellevuearc.org</a>
BARC club mtg	May 19	7:30 PM <b>club meeting</b> - <a href="http://www.bellevuearc.org">www.bellevuearc.org</a>
education	May 31	amateur license testing, Ak-Sar-Ben ARC - <a href="http://www.aksarbenarc.org">www.aksarbenarc.org</a>
education	Jun 2	amateur license testing, Lincoln, NE - KOIH@ARRL.NET
fun	June 4	BARC annual picnic, Halleck Park, Papillion, NE - <a href="http://www.bellevuearc.org">www.bellevuearc.org</a>
hamfest	Jun 5	Starved Rock, Princeton, IL - <a href="http://www.qsl.net/w9mks/hamfest.htm">www.qsl.net/w9mks/hamfest.htm</a>
BARC Bd mtg	Jun 9	7:30 PM, - <a href="http://www.bellevuearc.org">www.bellevuearc.org</a>
contest	Jun 11	ARRL <b>June VHF contest</b> - <a href="http://www.arrl.org">www.arrl.org</a>
education	Jun 11	amateur license testing, Midlands Hospital, Papillion - <a href="http://www.bellevuearc.org">www.bellevuearc.org</a>
BARC club mtg	Jun 16	7:30 PM <b>club meeting</b> - <a href="http://www.bellevuearc.org">www.bellevuearc.org</a>
contest	June 25	ARRL <b>Field Day</b> - <a href="http://www.arrl.org">www.arrl.org</a>
education	Jul 7	amateur license testing, Lincoln, NE - KOIH@ARRL.NET
public service	Jul 9	MS Bike Ride, Omaha to Lincoln
BARC Bd mtg	Jul 14	7:30 PM, - <a href="http://www.bellevuearc.org">www.bellevuearc.org</a>
hamfest	Jul 16	Warrensburg, MO, Hamfest - <a href="http://www.warci.org/">www.warci.org/</a>
hamfest	Jul 17	Zero-Beaters Annual Hamfest, Washington, MO - <a href="http://www.WA0FYA.org">www.WA0FYA.org</a>
BARC club mtg	Jul 21	7:30 PM <b>club meeting</b> (dinner meeting) - <a href="http://www.bellevuearc.org">www.bellevuearc.org</a>
education	Jul 21	amateur license testing, Ak-Sar-Ben ARC - <a href="http://www.aksarbenarc.org">www.aksarbenarc.org</a>
hamfest	Jul 23	<b>W0DXCC Convention</b> , Leavenworth, KS - <a href="http://www.kcdxclub.com">www.kcdxclub.com</a>

may\_spark\_gap\_2011\_fm

event type	start date	event description
hamfest	Jul 30	North Bend, NE - Pioneer Amateur Radio Club
education	Aug 4	amateur license testing, Lincoln, NE - KOIH@ARRL.NET
hamfest	Aug 5	Midwest Division Convention, Cedar Rapids, IA - <a href="http://convention2011.cvarc.rf.org">convention2011.cvarc.rf.org</a>
BARC Bd mtg	Aug 11	7:30 PM, - <a href="http://www.bellevuearc.org">www.bellevuearc.org</a>
BARC club mtg	Aug 18	7:30 PM <b>club meeting</b> - <a href="http://www.bellevuearc.org">www.bellevuearc.org</a>
public service	Aug 20	Arrows to Aerospace Parade
public service	Aug 27	Offutt AFB Open House & Air Show
contest	Aug 27	Kansas QSO Party, - <a href="http://www.ksqsoparty.org/sponsors/">www.ksqsoparty.org/sponsors/</a>
education	Sep 1	amateur license testing, Lincoln, NE - KOIH@ARRL.NET
BARC Bd mtg	Sep 8	7:30 PM, - <a href="http://www.bellevuearc.org">www.bellevuearc.org</a>
BARC club mtg	Sep 16	7:30 PM <b>club meeting</b> - <a href="http://www.bellevuearc.org">www.bellevuearc.org</a>
hamfest	Sep 17	<b>Pony Express Hamfest</b> , Saint Joseph, MO - <a href="http://ponyexpresshamfest.webs.com/">ponyexpresshamfest.webs.com/</a>
hamfest	Sep 17	<b>Peoria Superfest</b> , Peoria, IL - <a href="http://www.peoriasuperfest.com">www.peoriasuperfest.com</a>
hamfest	Sep 18	Boyer Valley ARC Flea Market, Mondamin, IA - <a href="http://www.angelfire.com/la2/fbcchurch/bvrctest.html">www.angelfire.com/la2/fbcchurch/bvrctest.html</a>
education	Sep 27	amateur license testing, Ak-Sar-Ben ARC - <a href="http://www.aksarbenarc.org">www.aksarbenarc.org</a>
public service	Oct 1	Market-to-Market Relay Race
education	Oct 6	amateur license testing, Lincoln, NE - KOIH@ARRL.NET
BARC Bd mtg	Oct 13	7:30 PM, - <a href="http://www.bellevuearc.org">www.bellevuearc.org</a>
contest	Oct 15	Iowa QSO Party - <a href="http://iaqso.wa0dx.org/">iaqso.wa0dx.org/</a>
BARC club mtg	Oct 20	7:30 PM <b>club meeting</b> - <a href="http://www.bellevuearc.org">www.bellevuearc.org</a>
public service	Oct 20	Make-A-Wish Bike Ride
hamfest	Oct 22	3900 club, Sergeant Bluff, IA
education	Nov 3	amateur license testing, Lincoln, NE - KOIH@ARRL.NET
public service	Nov 5	Veterans Day Parade
hamfest	Nov 6	IA section convention, Davenport, IA - <a href="http://www.arcsupport.com/drac/hamfest.html">www.arcsupport.com/drac/hamfest.html</a>
BARC Bd mtg	Nov 10	7:30 PM, - <a href="http://www.bellevuearc.org">www.bellevuearc.org</a>
BARC club mtg	Nov 17	7:30 PM <b>club meeting</b> - <a href="http://www.bellevuearc.org">www.bellevuearc.org</a>
education	Nov 29	amateur license testing, Ak-Sar-Ben ARC - <a href="http://www.aksarbenarc.org">www.aksarbenarc.org</a>
education	Dec 1	amateur license testing, Lincoln, NE - KOIH@ARRL.NET

